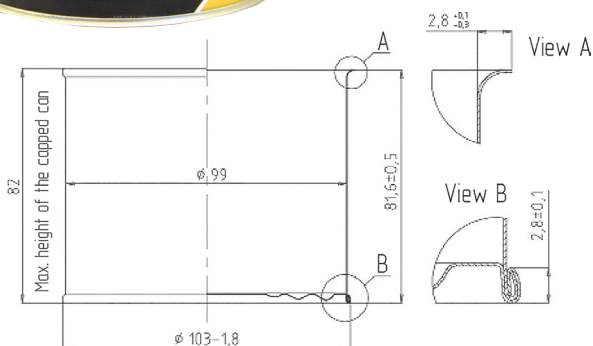


CYLINDRICAL CAN Ø99mm FOR CANNED FOOD No. 12



Volume, cm ³	580 + 11,5 / - 17,5
Diameter internal, mm	99
Diameter external, mm	103 - 1,8
Max. height of the capped can, mm	82

APPLICATION

Storage and transportation of food products
Meets with the requirements of TR CU 005/2011

GENERAL SPECIFICATIONS

- Double bottom seaming
- Longitudinal weld seam – Wima
- Grey protective enamel canning, pigmented with aluminum
- Polyester powder coated

INTERNAL COATING

- White • Gold • Aluminized

EXTERNAL COATING

- Gold • Clear

SIDE STRIPE COATING

- Liquid • Powder

MATERIALS USED

- TIN (GOST 13345-85)
- Degree of hardness A2
- Tin coating class 1 (2.8g / 2.8g / m²)
- Case thickness 0.18-0.2 mm
- Bottom / cover thickness 0.19-0.2 mm

FOR CANNED FOOD No. 13, 13A, 13H

APPLICATION

Storage and transportation of food products
Meets with the requirements of TR CU 005/2011

GENERAL SPECIFICATIONS

- Double bottom seaming
- Longitudinal weld seam – Wima
- Grey protective enamel canning, pigmented with aluminum
- Polyester powder coated

INTERNAL COATING

- White • Gold • Aluminized

EXTERNAL COATING

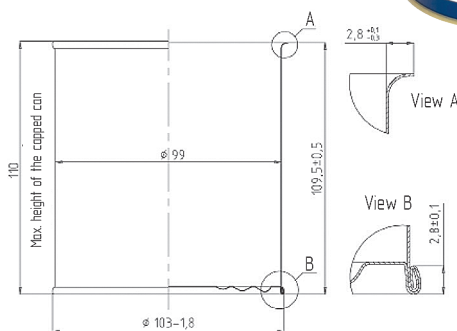
- Gold • Clear

SIDE STRIPE COATING

- Liquid • Powder

MATERIALS USED

- TIN (GOST 13345-85)
- Degree of hardness A2
- Tin coating class 1 (2.8g / 2.8g / m²)
- Case thickness 0.18-0.2 mm
- Bottom / cover thickness 0.19-0.2 mm



	13A	13	13H
Volume, cm ³	580 + 11,5 / - 17,5	580 + 11,5 / - 17,5	580 + 11,5 / - 17,5
Diameter internal, mm	99	99	99
Diameter external, mm	103 - 1,8	103 - 1,8	103 - 1,8
Max. height of the capped can, mm	110	124	137